



building from waste

info@prettyplastic.nl
www.prettyplastic.nl
@we_are_prettyplastic

SECOND HIGH PRODUCT SHEET

March 2024

PRODUCT SHEET



building from waste

PRODUCT NAME SECOND HIGH

TECHNICAL DATA

HEIGHT	294mm
WIDTH	294mm
THICKNESS	67mm

NUMBER OF TILES PER M ²	11.1
WEIGHT PER TILE	1.2 kg
WEIGHT PER M ²	13.1 kg

MATERIAL	recycled Polyvinylchlorid (PVC)
----------	---------------------------------

FLAMMABILITY (EN 13501-1:2018)	B-s3, d0
--------------------------------	----------

PRODUCTION TOLERANCES	+/-2%
-----------------------	-------

INSTALLATION

Pretty Plastic tiles should be attached to a structure of aluminium omega-profiles of 40mm-25mm.

We recommend using our specially developed mounting brackets to ensure a solid installation.

PROCESSING

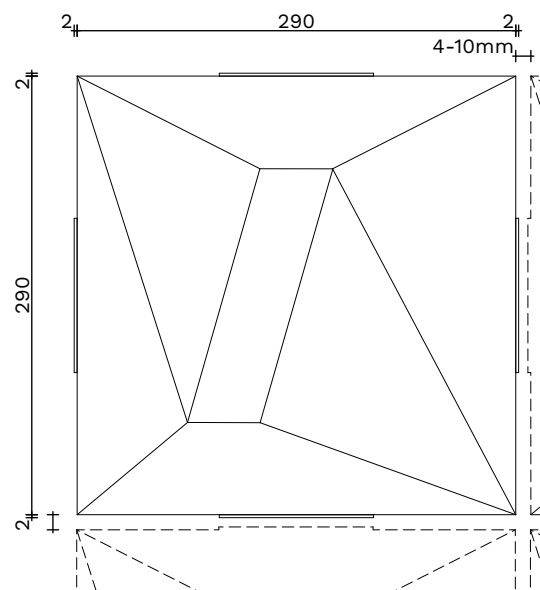
Pretty Plastic can be cut or drilled without producing any splinters.

COLOUR

Pretty Plastic is available in four different colours: ochre, terracotta, green, and grey, each offering three shades. Colours shown serve as representative examples to provide an initial impression. However, due to the inherent characteristics of recycled materials, the delivered product may exhibit slight variations in colour and finish.

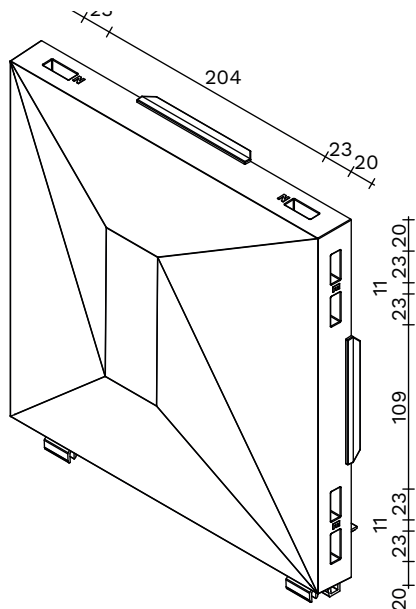
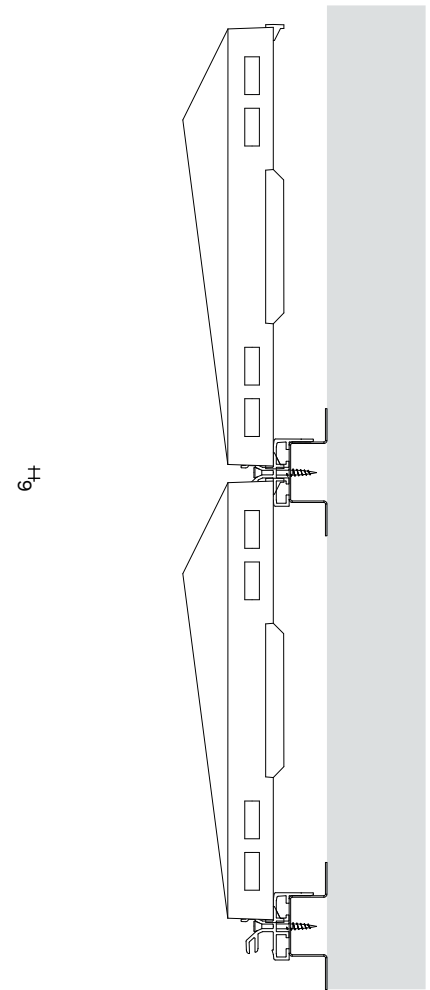
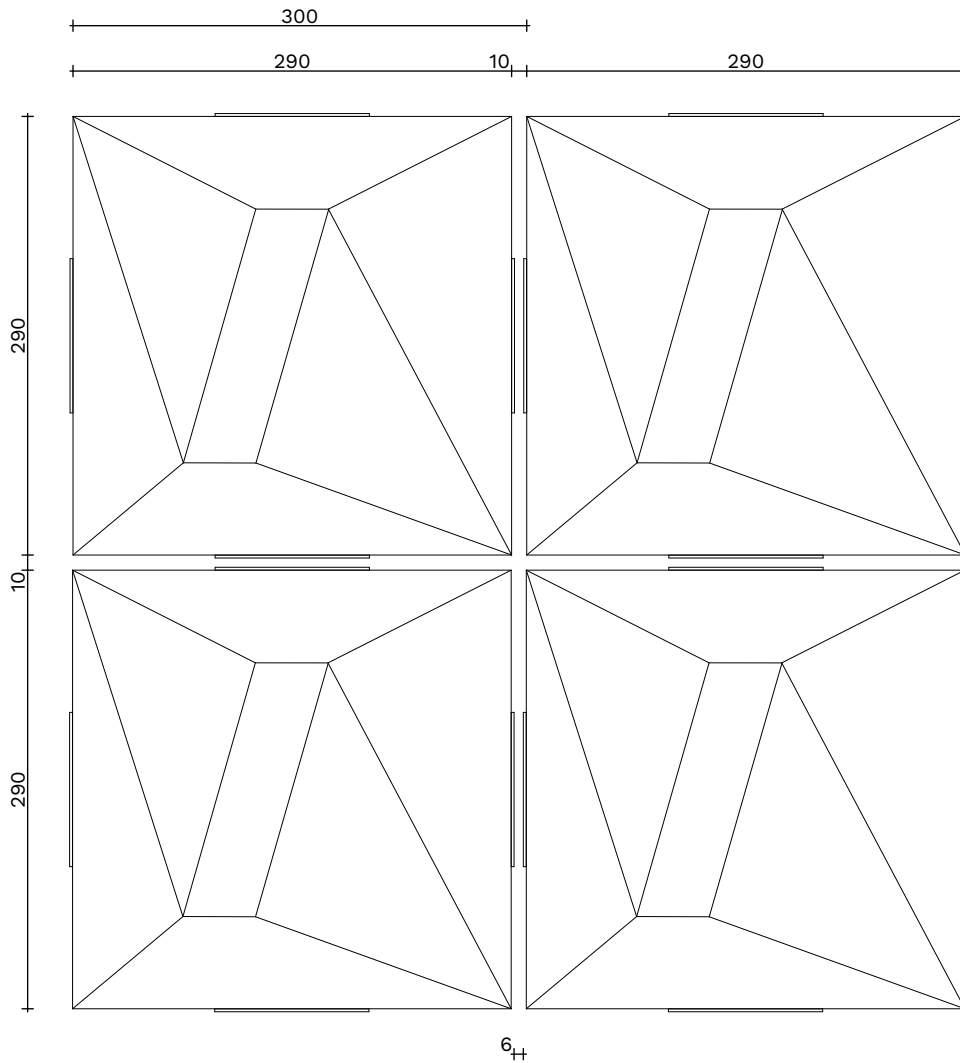
MAINTENANCE

Pretty Plastic is maintenance-free and can be cleaned using mild household cleaning products.



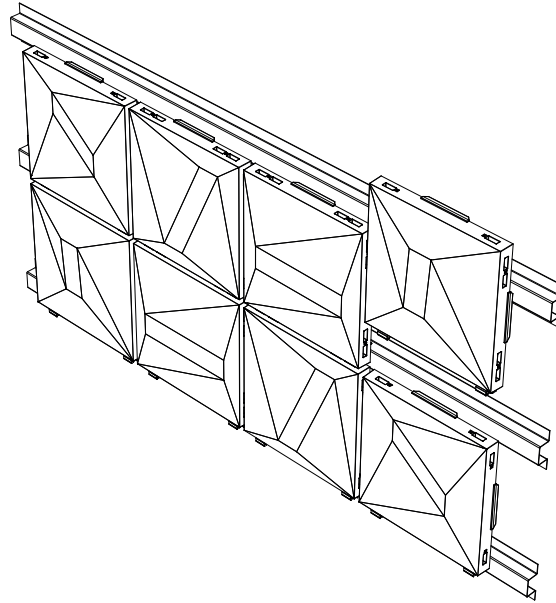
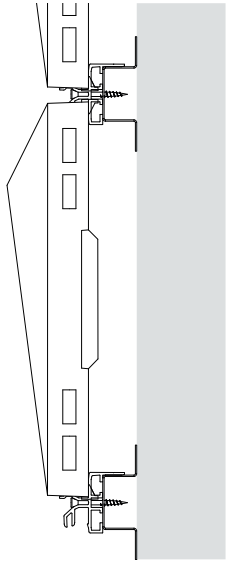
PRODUCT SHEET

DIMENSIONS SECOND HIGH

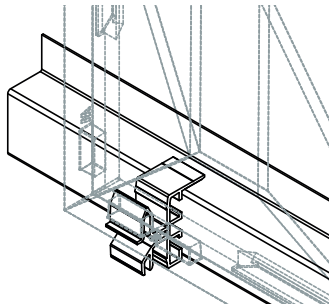
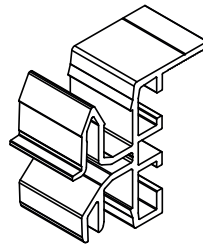
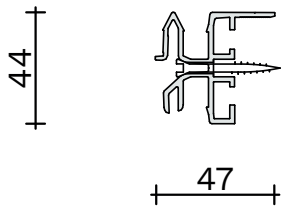


PRODUCT SHEET

INSTALLATION METHODOLOGY SECOND HIGH



Principle of mounting to aluminium profiles



Recommended mounting bracket

PRODUCT SHEET

PRODUCT NAME SECOND HIGH

DARK

MEDIUM

LIGHT

GREY



b3



b2

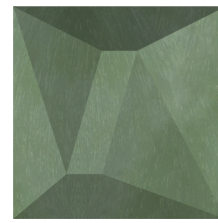


b1

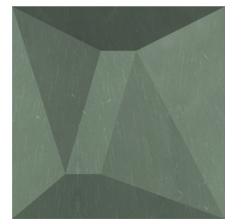
GREEN



g3



g2

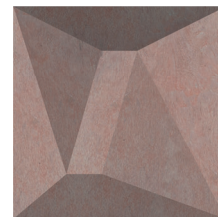


g1

TERRACOTTA



t3



t2

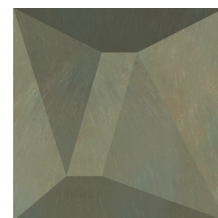


t1

OCHRE



o3



o2

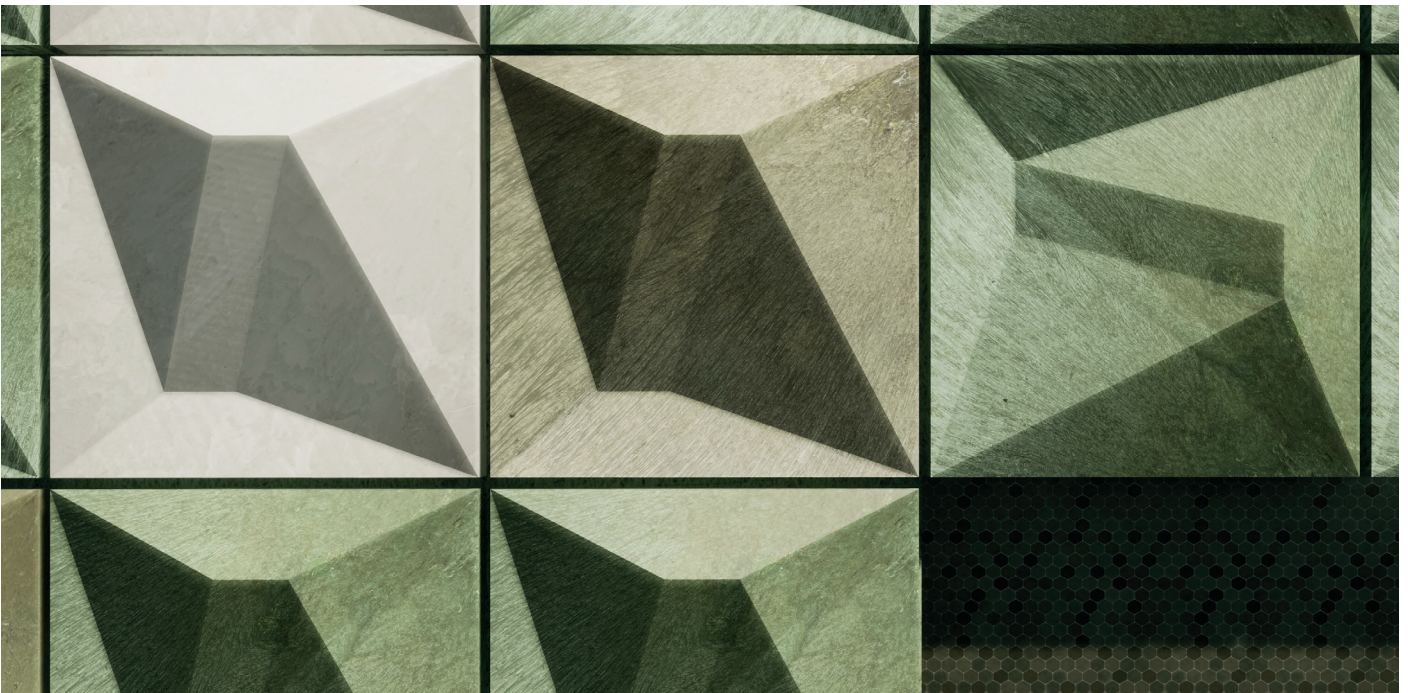
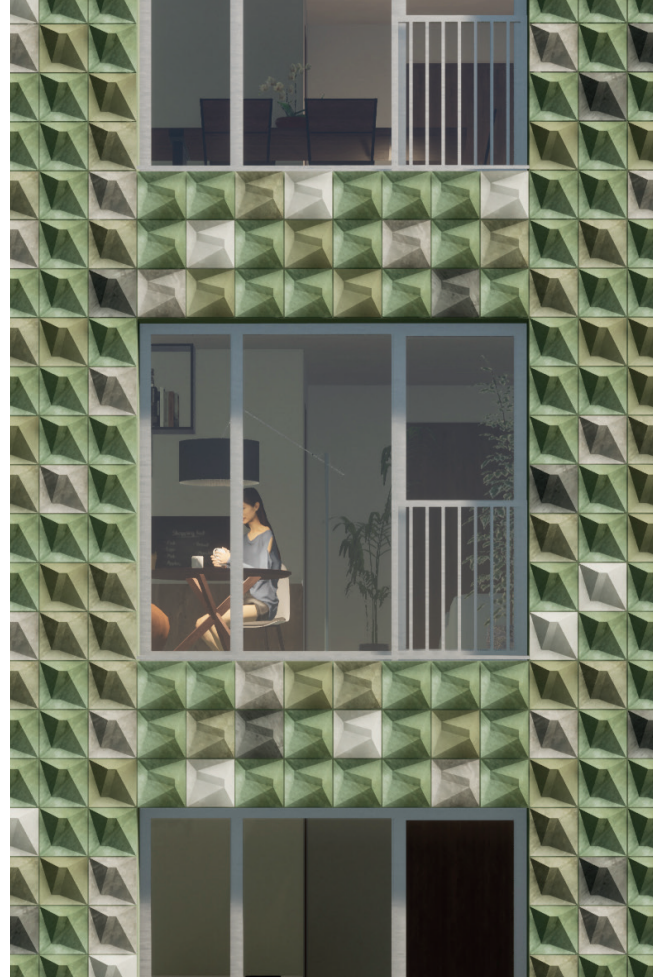


o1

PRODUCT SHEET

PRODUCT NAME SECOND HIGH

 **Pretty Plastic**
building from waste



240328 V2